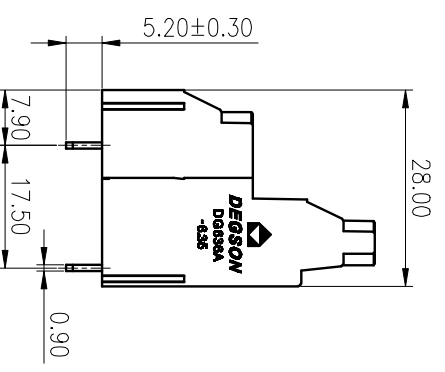
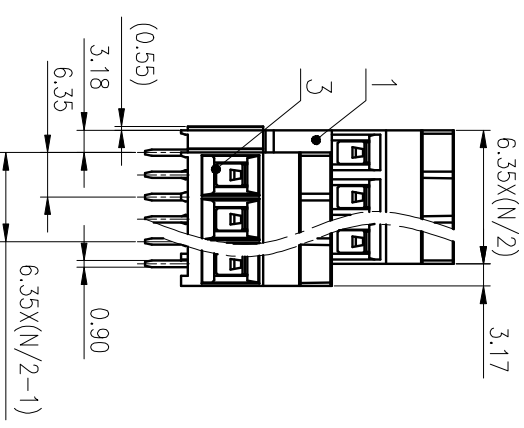
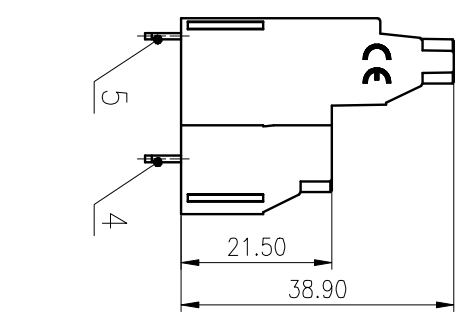
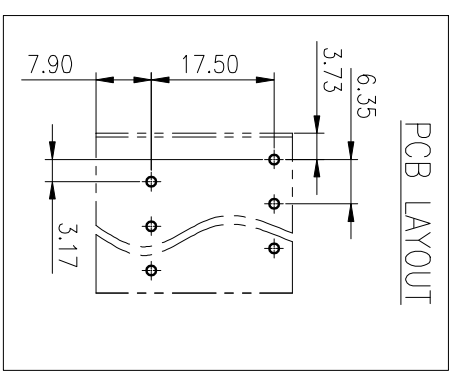
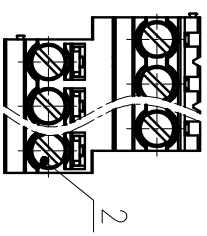


公差等级/General Tolerances(mm)		0.1/10	
0	>3	>10	>180
3	~6	~50	~400
6	10	80	~500
±0.12	±0.18	±0.22	±0.26
±0.31	±0.37	±0.57	±0.80
±1.05	±1.15	±1.60	±2.20
±2.50	±2.50	±2.50	±2.50



ITEM	NAME OF PART	MATERIAL	NOTES
1	Housing	PA66	UL94V-0
2	Screw	Steel	M3.5/Zn Plated
3	Cage	Copper alloy	M3.5/Ni Plated
4	Pin header	Copper	Sn Plated
5	Pin header	Copper	Sn Plated

UL 标准 /UL Standard:	B	C	D
额定电压/电涌/Rated Voltage(V)/Current(A)	300/30	/	300/10
IEC 标准 /IEC Standard:			
过压类别/Overvoltage Category/污秽等级/Pollution Degree	III/3	III/2	II/2
额定电压/电涌/Rated Voltage(V)/Current(A)	500/32	630/32	1000/32
额定冲击电压(kV)/Rate Impulse Voltage(kV)	6	6	6
转矩范围(螺栓和螺线)/Wire Range(rigid and flexible)(mm <sup>2</sup> /AWG)	0.2~6.0/30~10		
间距/Pitch(mm)/线数范围/Poles	6.35/N=04~48P		
引线长度/Stripping length(mm)	7~8		
使用温度范围/Operating temperature(°C)	-40~+105		
符合RoHS标准/Conform to RoHS	Yes		

MATERIAL:	SURFACE:
MAT NO.:	/
STATUS:	/
APPD: Lon CHH 2020.05.15	NAME:
CHKD: Yu JZh 2020.05.15	DG636A-6.35-XXP-1Y-00A(H)
DRAFT: GYZ 2016.03.24	DRAWING NO.: DG636A-6.35-C01

REV	ECN	DESCRIPTION	DRAFT	DATE	SIZE: A4	TYPE: CUSTOMER DRAWING	SCALE: 1:1	REV	T1
1	2	3	4	5	6	7	8	9	10

