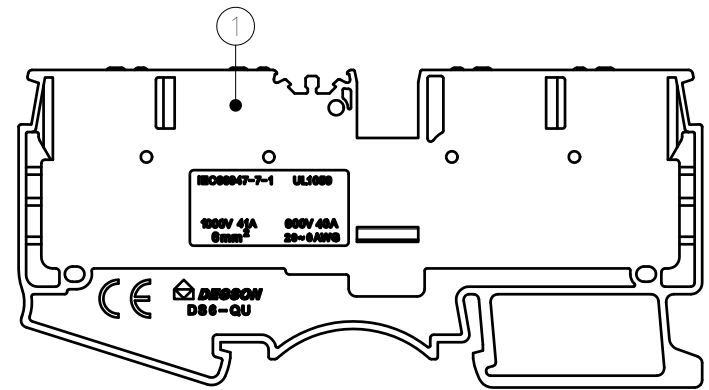
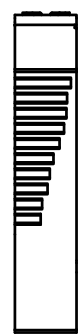
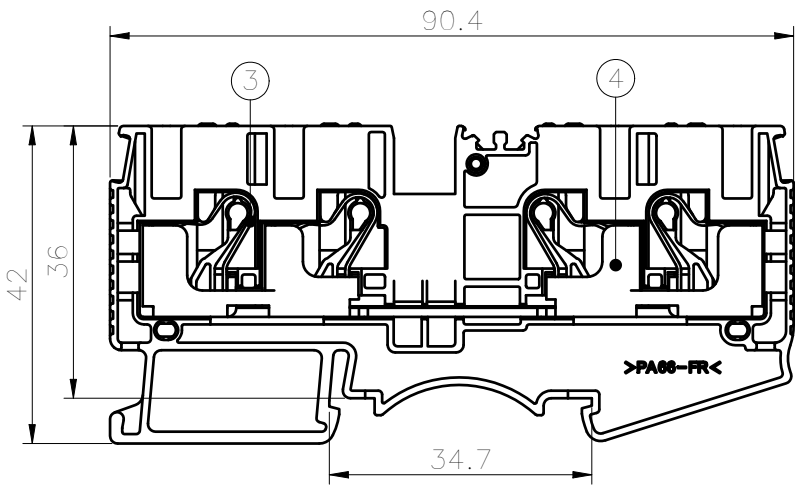
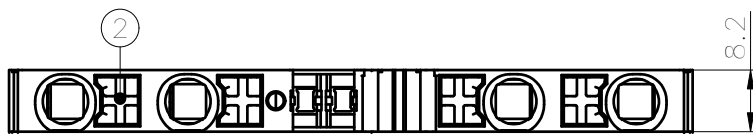
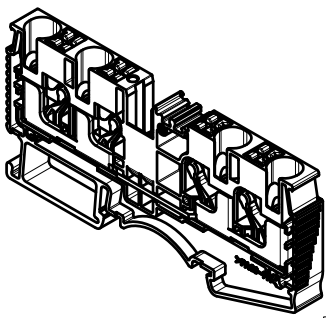


Transfer or duplication of this document as well as the utilization or communication of its contents in any form without the written consent of DEGSON is prohibited. All rights reserved for patent, utility model or design registrations. 非经书面明确授权，否则禁止转让、复制、利用、交加本文件的内容。一经发现侵权必究，保留对侵权行为的追究权利。



未注公差/General tolerances(mm)											D 0.1/10		
0	>3	>6	>10	>18	>30	>50	>80	>120	>180	>250		>315	>400
~3	~6	~10	~18	~30	~50	~80	~120	~180	~250	~315	~400	~500	~500
±0.12	±0.18	±0.22	±0.26	±0.31	±0.37	±0.57	±0.80	±0.93	±1.05	±1.15	±1.60	±2.20	±2.50
UL 标准/UL Standard:										B	C	D	
额定电压/电流/Rated Voltage(V)/Current(A)										600V/40	600/40	/	
IEC 标准/IEC Standard:													
过压类别/Overvoltage Category/污染等级/Pollution Degree										III/3	III/2	II/2	
额定电压/电流/Rated Voltage(V)/Current(A)										1000/41	/	/	
额定脉冲电压(KV)/Rate Impulse Voltage(KV)										8	/	/	
线径范围(硬线和软线)/Wire Range(rigid and flexible)(AWG/mm²)										20~8 / 0.5~6(10sol)			
间距/Pitch(mm)/线数范围/Poles										8.2/N=01P			
剥线长度/Stripping length(mm)										12			
使用温度范围/Operating temperature(°C)										-40~+105			
符合 RoHS 环保要求/Conform to RoHS										Yes			
标准颜色编号/Standard color number: PANTONE / RAL										/			



4	Current carrier	Copper	Sn Plated
3	Spring	Stainless steel	/
2	Button	PA66+GF%	UL94V-0
1	Housing	PA66	UL94V-0
ITEM	NAME OF PART	MATERIAL	NOTES

			MATERIAL: /		SURFACE: /		
			MAT NO./REV: /		MAT STATUS: /		
APPD:	Li GL	2021.11.18	NAME				
CHKD:	Ma EK	2021.11.18	DS6-QU-01P-1Y-00A(H)				
DRFT:	Mi Sh	2021.11.18					
			DRAWING NO.	TYPE	DRAWING STATUS	SCALE	SHEET
			/	CUSTOMER DRAWING	/	1:1	1/1

00	/	/	Mi Sh	2021.11.18
REV	ECN	DESCRIPTION	DRFT	DATE