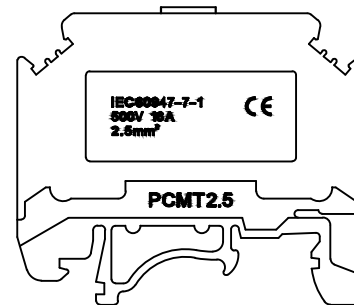
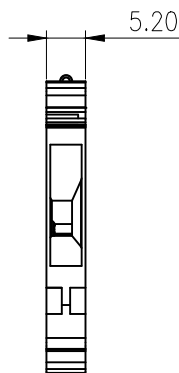
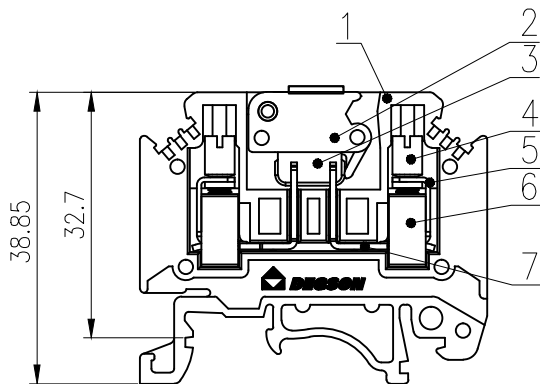
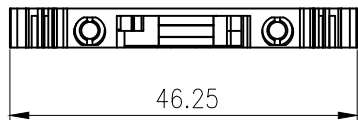


未注公差/General tolerances(mm)														
0	>3	>6	>10	>18	>30	>50	>80	>120	>180	>250	>315	>400	0.1/10 ±2'	
~3	~6	~10	~18	~30	~50	~80	~120	~180	~250	~315	~400	~500		
±0.12	±0.18	±0.22	±0.26	±0.31	±0.37	±0.57	±0.80	±0.93	±1.05	±1.15	±1.60	±2.20	±2.50	



UL 标准/UL Standard:	B	C	D
额定电压/电流/Rated Voltage(V)/Current(A)	300/10	/	/
EC 标准/IEC Standard:			
过压类别/Overvoltage Category/污染等级/Pollution Degree	III/3	/	/
额定电压/电流/Rated Voltage(V)/Current(A)	500/16	/	/
额定脉冲电压(KV)/Rate Impulse Voltage(KV)	6	/	/
螺丝扭矩/Torque Tightening(N·m/Lb.in)	M3, 0.5/4.43		
线径范围(硬线和软线)/Wire Range(rigid and flexible)(mm²/AWG)	0.2~2.5/24~14		
间距/Pitch(mm)	5.2		
剥线长度/Stripping length(mm)	8-9		
使用温度范围/Operating temperature(°C)	-40~+105		
符合RoHS环保要求/Conform to RoHS	Yes		
标准颜色编号/Standard color number: PANTONE / RAL	/		

7	Clamp	Copper alloy	Ni plated
6	Cage	Copper alloy	M3/Ni plated
5	Spring	Copper alloy	Ni plated
4	Screw	Copper alloy	M3/Ni plated
3	Kinfe switch	Copper alloy	Sn plated
2	Kinfe box	PA66	UL94V-0
1	Housing	PA66	UL94V-0

ITEM	NAME OF PART	MATERIAL	NOTES
------	--------------	----------	-------

REV	ECN	DESCRIPTION	DRFT	DATE
-----	-----	-------------	------	------

MATERIAL:		SURFACE:			
MAT NO.:	/	宁波高松电子有限公司 NINGBO DEGSON ELECTRICAL CO., LTD			
STATUS:	/				
APPD:	LGL 2020.4.20	NAME: PCMT2.5-01P-1Y-00A(H)			
CHKD:	MEK 2020.4.20	DRAWING NO.: PCMT2.5-C01			
DRFT:	LiuZH 2019.05.21	REV		T1	
SIZE: A4 mm (inch)		TYPE: CUSTOMER DRAWING		SCALE: 1:1	SHEET 1/1